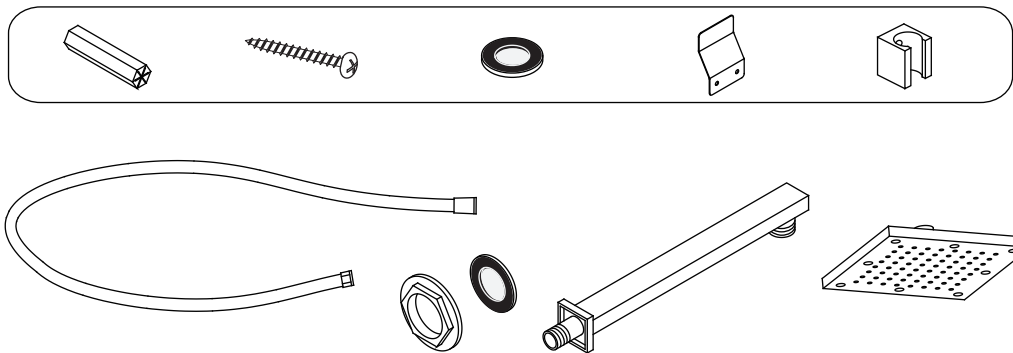
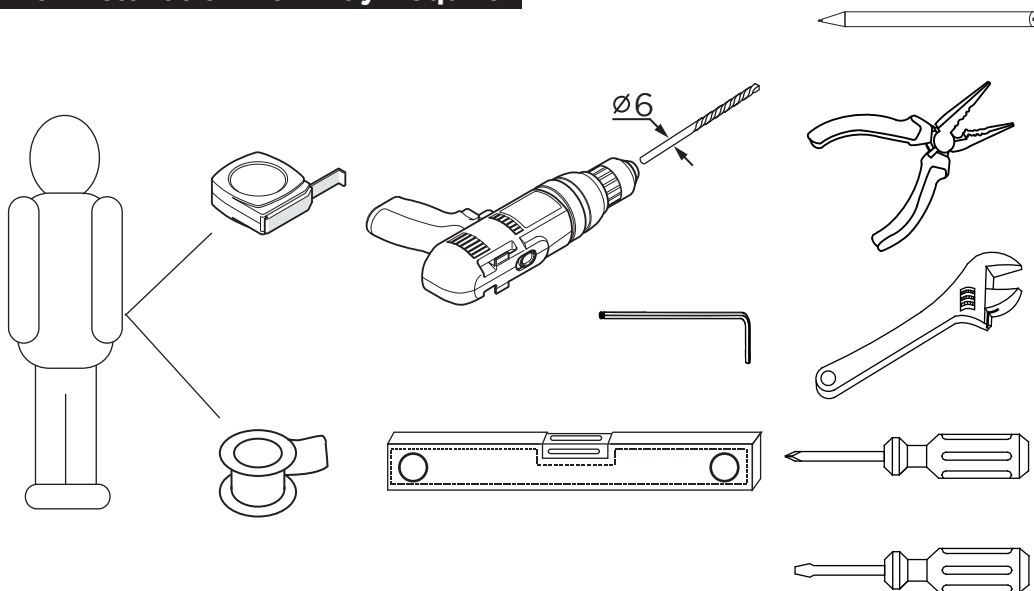


**Parts List**

Please unpack and inspect all packages and components carefully, make sure they are complete. Examine for shipping damage. If some parts are damaged or missing, notify your dealer immediately.

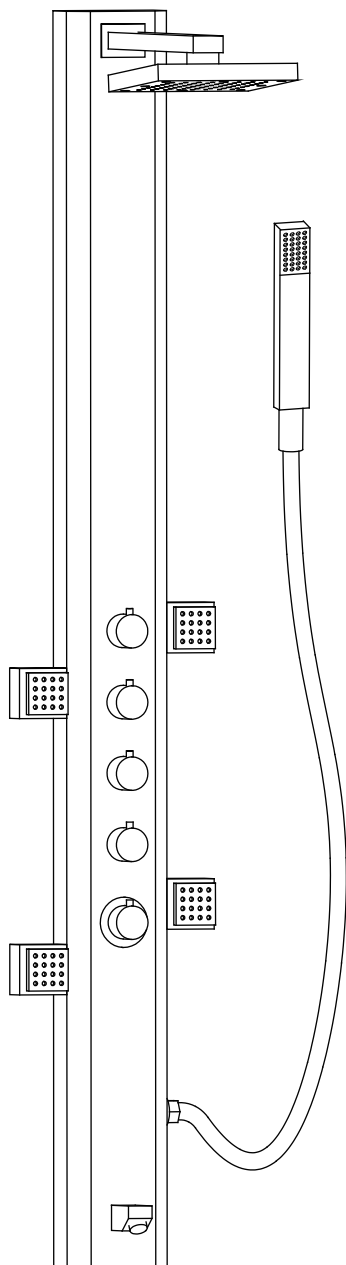
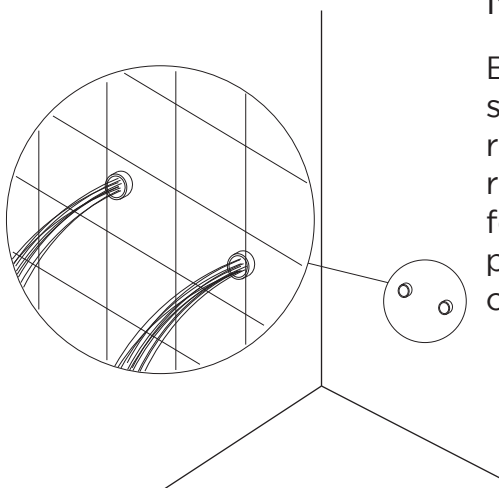


**For Installation You may Require**

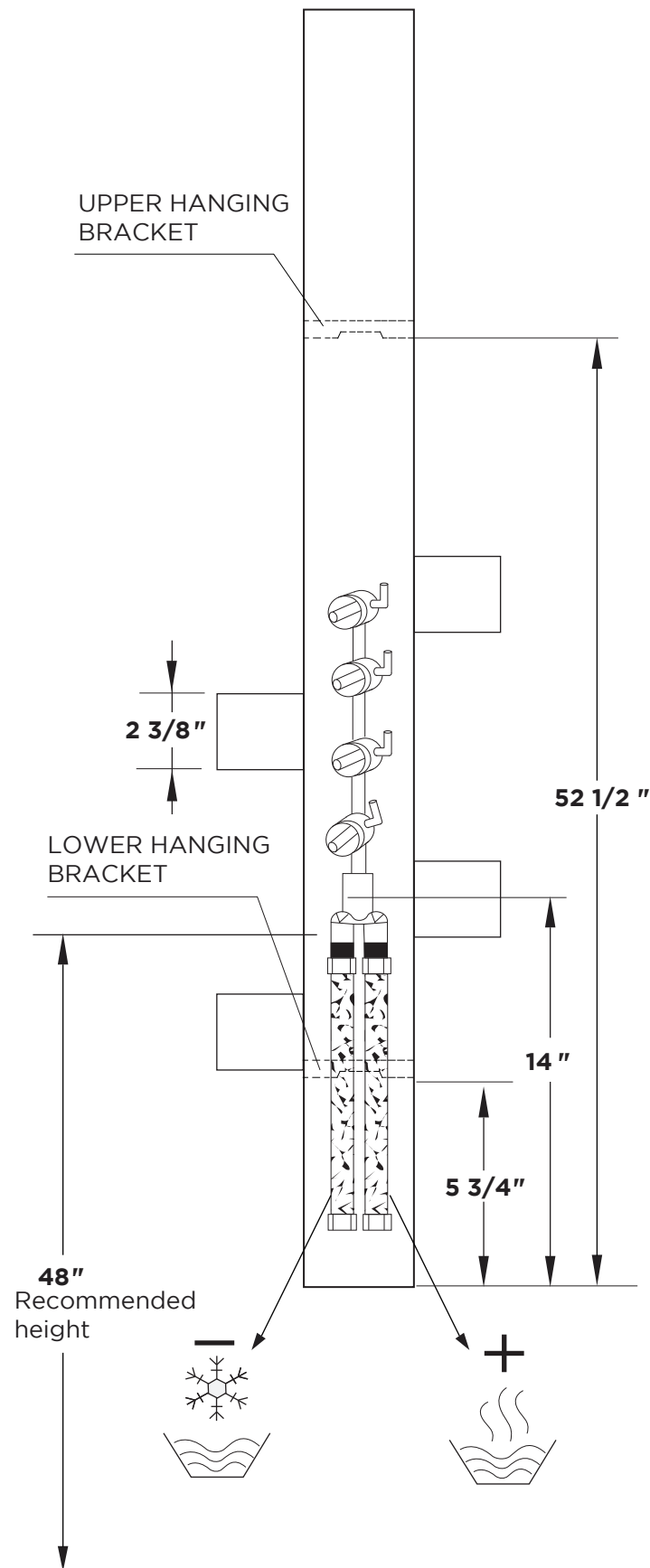


**Note!**

Before assembly, flush the water supply pipes thoroughly to remove debris (allow the water to run with the main stopcock open for about 3 mins), otherwise dirt particles might affect the function of the shower panel!



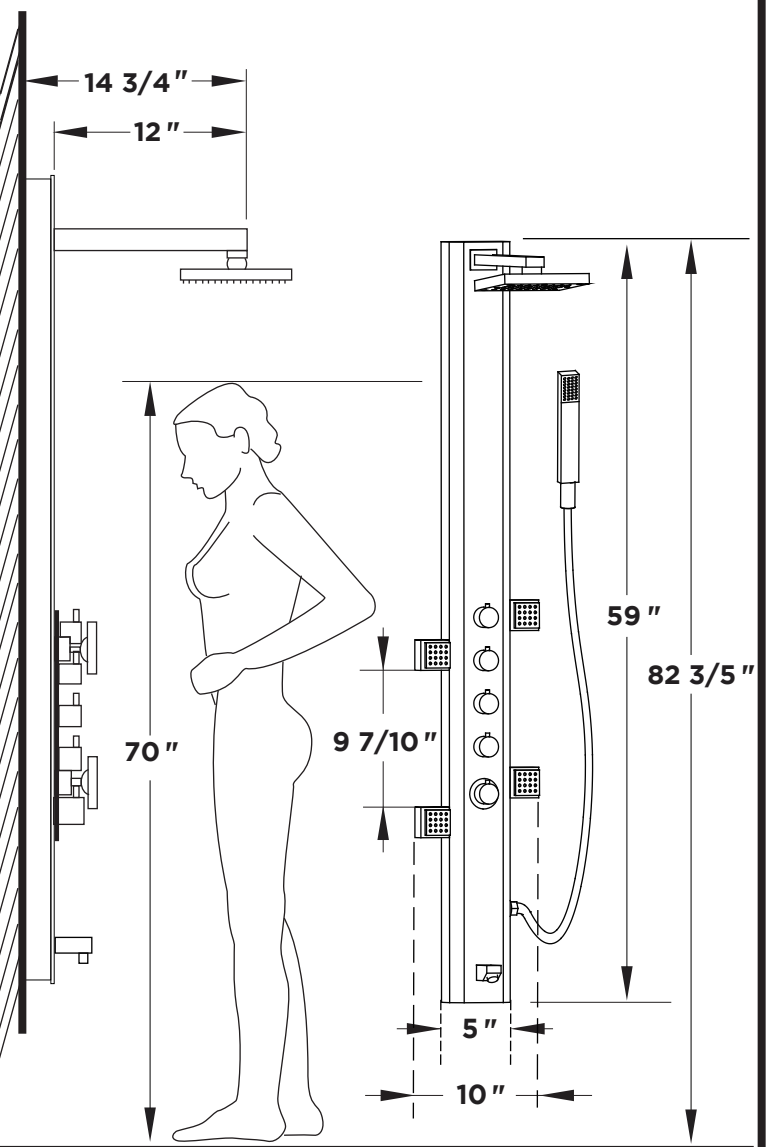
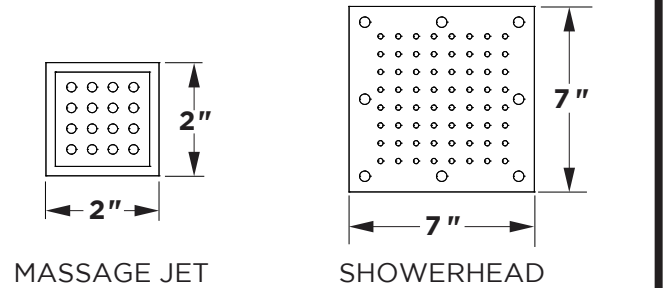
## Back View



Measure the distance from the upper fixing hanger to the lower fixing hanger. The dimensions are for your reference only.

## Dimensions

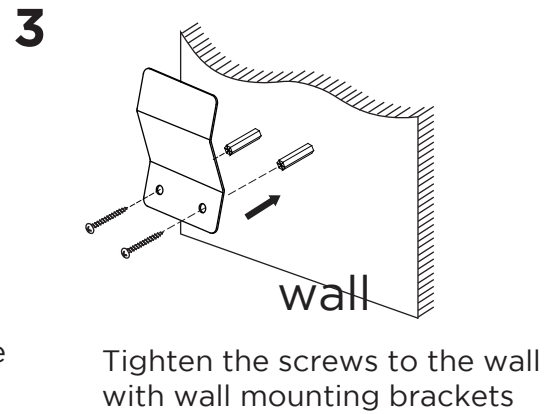
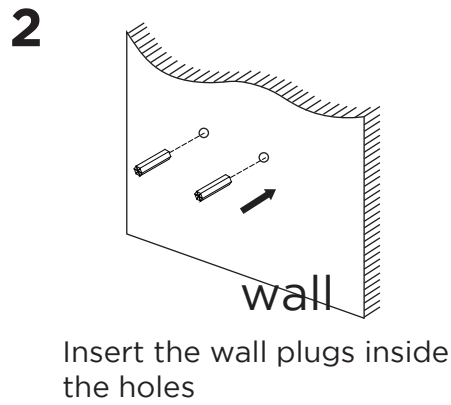
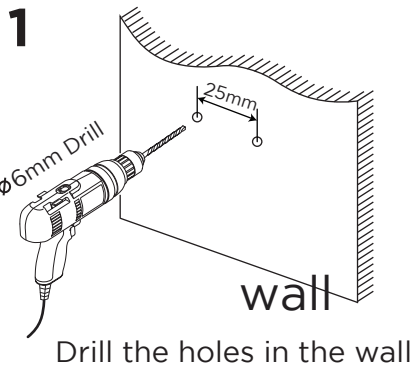
Choose a suitable place to install the shower panel, adjust the shower panel's vertical position based on the user's height and your sanitary room. Usually, install the panels at the distance of 82 3/5" from the top to the ground, but you can assemble according to your instance.



Note! The height can be altered to suit individual requirements. The dimensions are for reference only.

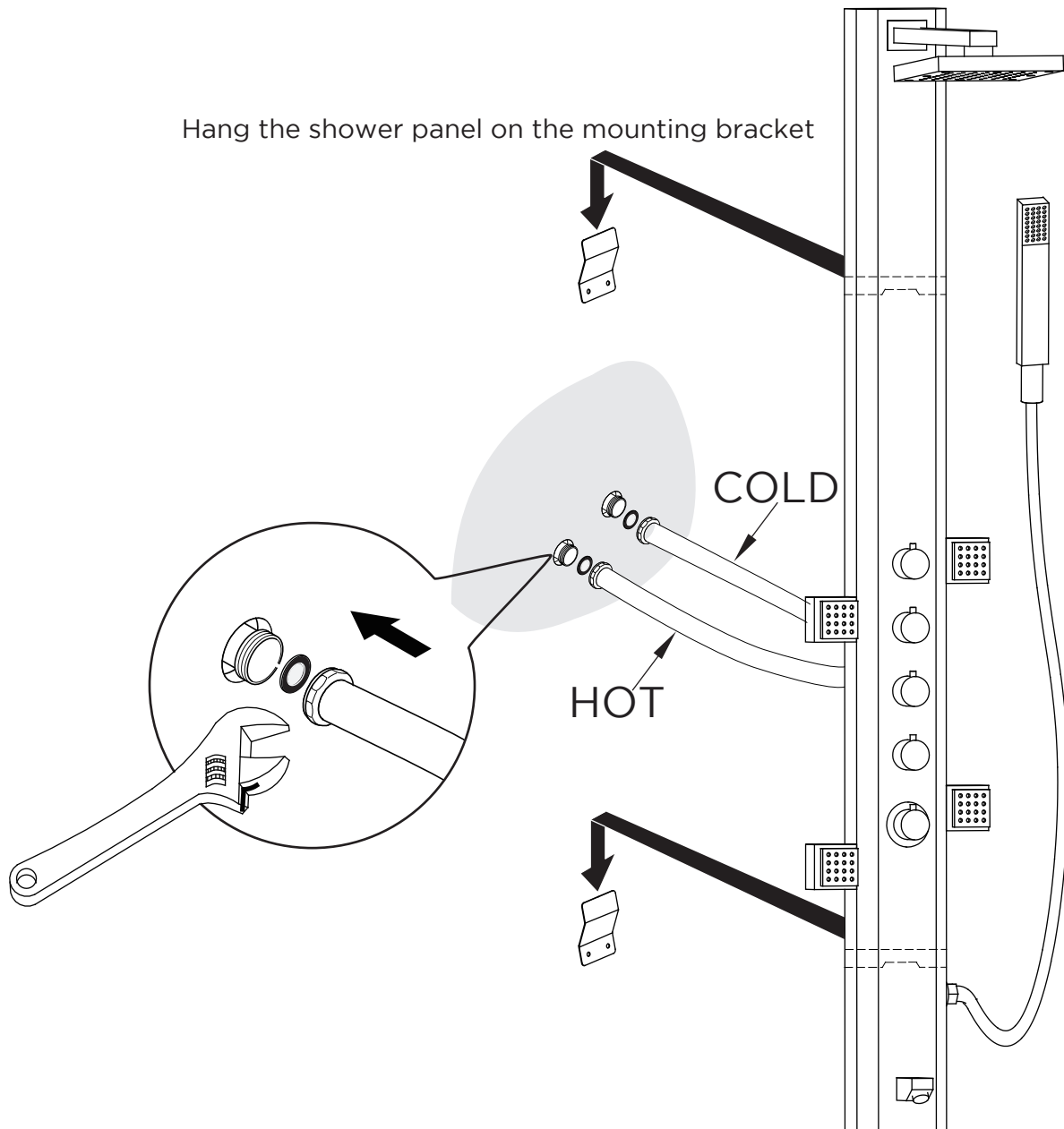
**Your item may appear slightly different from the illustration**

**Note!** Before drilling any holes for fixing your shower panel ensure that there are no hidden cables or pipework within the wall.

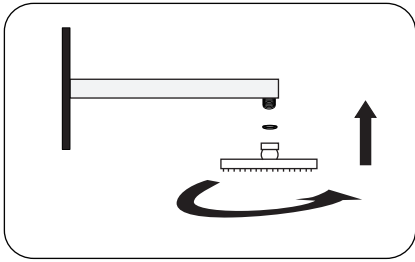


### Wall-mounting

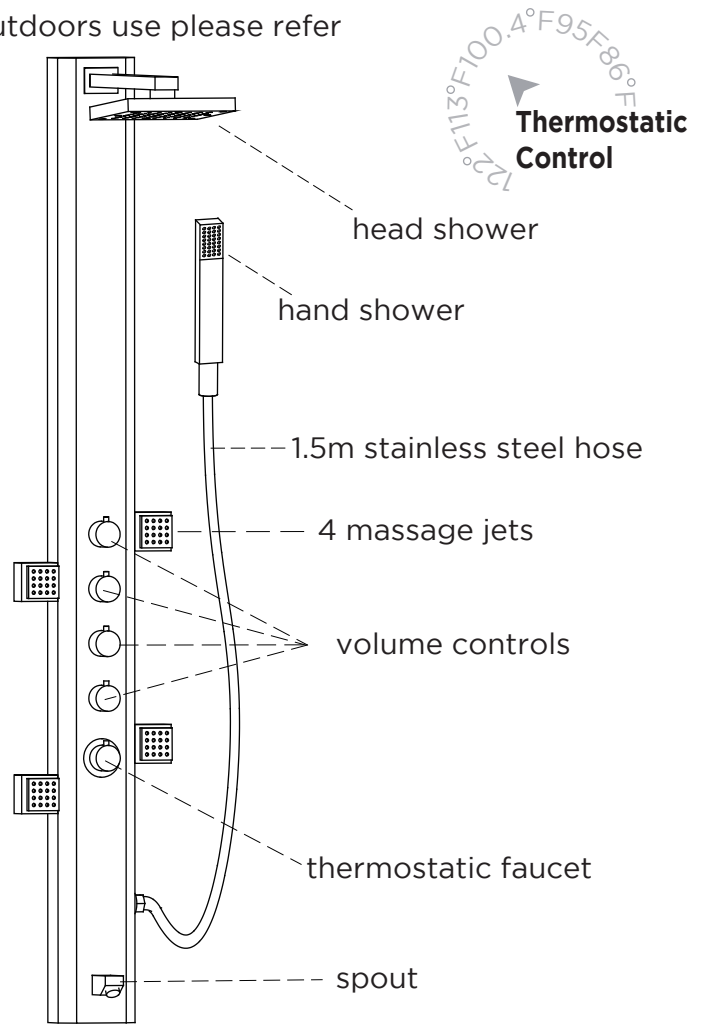
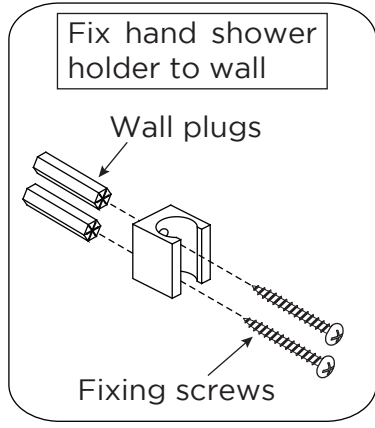
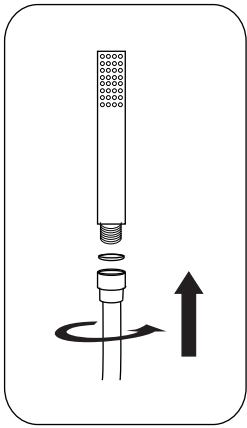
**Note!** Most of “Fresca” shower panels not only can be mounted on the tile, marble or other flat wall, but also can be mounted against the wall corner.



Note! The shower panel is for indoors use only. For outdoors use please refer to the "Fresca" outdoors shower panel series.

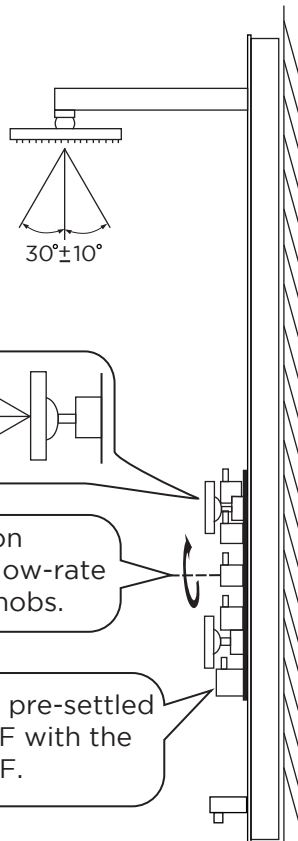


Don't forget to place the rubber washer when it is necessary. It will avoid water leakage.



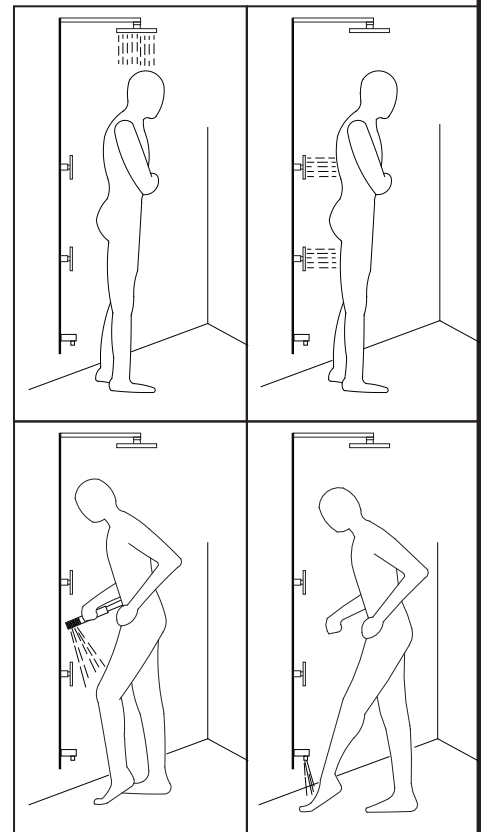
**Operation**

Technical data  
 Minimum working pressure 11.6 PSI  
 Maximum working pressure 72.5 PSI  
 Recommended operating pressure 21.75 PSI - 43.5 PSI  
 Test pressure 145 PSI  
 Temperature scale 86°F-122°F  
 Hot water temperature Max. 158°F  
 Safety stop 100.4°F



Select the shower function required and adjust the flow-rate by rotating the control knobs.

The temperature has been pre-settled at a safe temperature 104°F with the safety push button to 104°F.

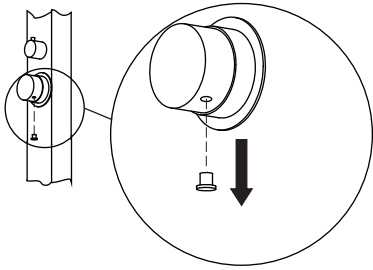


Note! If the safety push button has been operated, it is important that it is returned to its original position(100.4°F) in order to prevent the next shower user from accidental scalding if the temperature is too high.

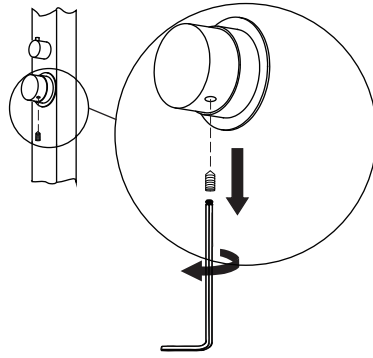
## Thermostatic valve removal and installation

### Remove process

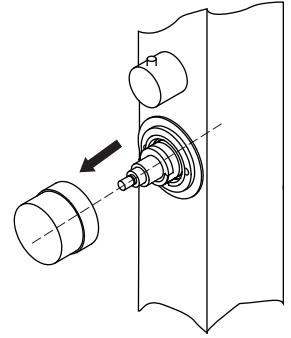
1 Take off cap



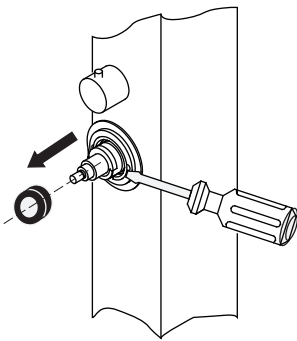
2 Loosen HEX screw off with allen wrench



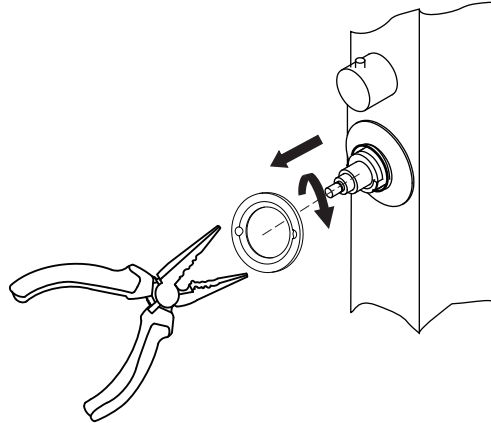
3 Take off head



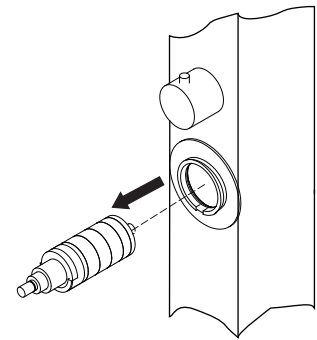
4 Take off plastic ring



5 Position on the golden ring and pull out the valve by needle nose pliers

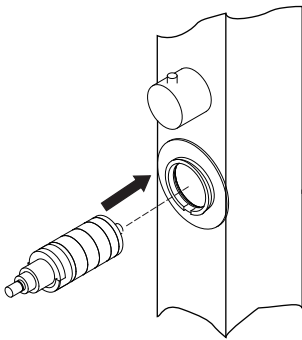


6 Remove the valve

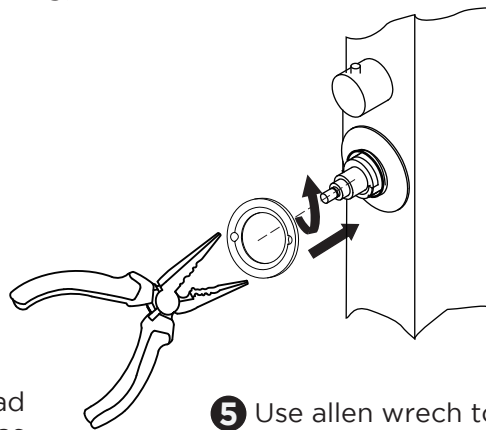


### Installation process

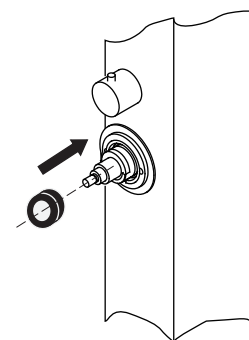
1 Place valve in place(ensure the screw head pointing to the cut off of the plated ring)



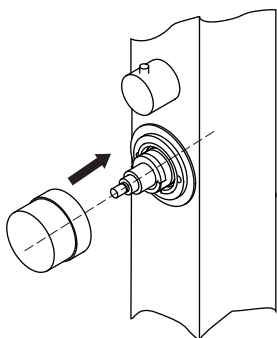
2 Put golden ring on top of valve



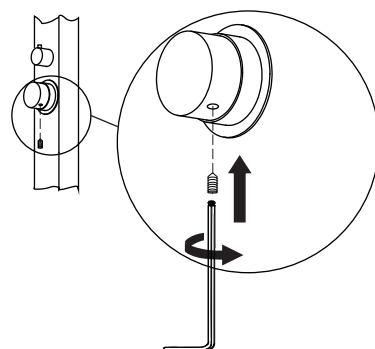
3 Put plastic ring in place with a rubber hammer



4 Press the button on the head and put on the head as below ensuring the screw hole pointing to the front



5 Use allen wrench to fix the HEX screw tightly



6 Put on cap

